



# DECK WORK SHEET

Listed below is an acceptable construction technique for most single family dwelling decks. If this form is not suitable for the construction of your deck, detailed drawings may be submitted for review.

<i>Deck Dimensions:</i>	_____ X _____ (Parallel X Perpendicular to house)
-------------------------	--

Typical Deck Construction:	Indicate "As per typical" or enter alternative
2' X 6' decking material	
2' x 10' joists, 24 inches on center (max. span 14 ft.)	
2' x 10' deck header anchored to home	
Joist hangers to tie joists to header	
2 ply 2' x 10' beam (max. distance between posts 9 ft.)	
4" x 4" posts to ground (proper bearing required)	

- \* Graded lumber required (Spruce, PWF, and all weather acceptable)
- \* All lumber within 6" of dirt must be treated with a wood preservative

### Stairs:

Minimum run 9-1/4"	
Maximum rise 7-7/8"	

- \* Guards and handrail required on exterior stairs over three risers

### Guard:

36" high (between 2 feet and 6 feet above grade)	
42" high (over 6 feet above grade)	

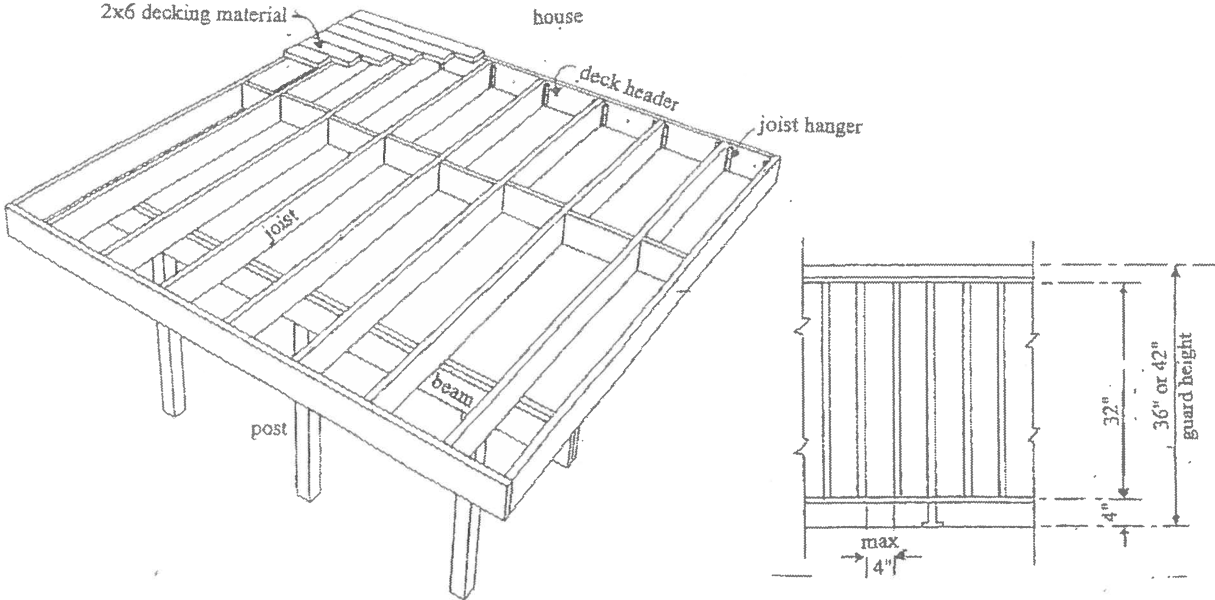
- \* No horizontal member between 4 inches and 36 inches that would permit climbing
- \* Opening in guards not to exceed 4 inches

**NOTE:** Decks supported on pillions or sidewalk blocks are acceptable but may experience movement. A minimum pile depth of 7'-0" or 24" x 24" x 8" concrete pad and pile minimum depth 4'-0" would be required for future enclosure of deck.

Please show deck below complete with post and beam locations and dimensions below:



Diagrams below for information only:



TYPICAL DECK

TYPICAL GUARD

A final inspection will be required. Additional items may be identified at this time.